

# DEEP ARE THE WOODS – TECHNICAL RIDER

## TECHNICAL CONTACT

Eric Arnal-Burtschy  
0033 6 67 90 73 72  
pertendo@gmx.fr

## TECHNICAL SET UP

A dark room is plunged into complete silence, darkness and in a moderately dense fog stagnating. Several videoprojectors arranged in height and above the audience emit light beams.

*NB: The descriptions given in this data sheet may seem (too) accurate but are a report of lessons learned from the opening and aim to be more effective in setup time and better quality for the audience.*

### NOTE ON USING THE FOG:

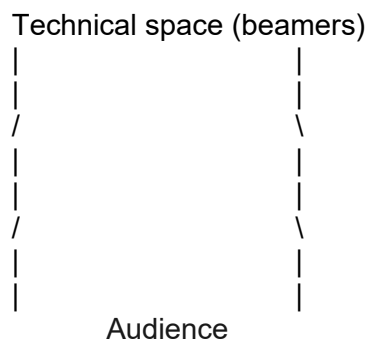
This project is a work of writing light. Haze is a key element because it allows to materialize it. Haze is different from the smoke in that it is semi-transparent and does not stop the vision. It is best to use the one we recommend because it is made from sugar and not mineral oil as is almost always the case. This has the advantage of being harmless, odorless and without deposit. We are able to put you in touch with the company "Dees" where it can be rented at very competitive rates. The type of the Haze is normal Haze fluid (not the quick dissipating haze fluid).

## SPACE

WALLS : Black on 4 walls

*Show Version: straight velvet.* (the velvet points toward the audience).

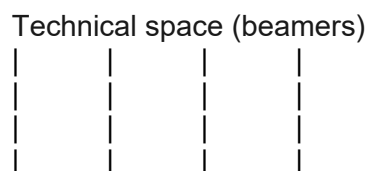
NB: In the case of a leg drops assembly, it must be stretched along the walls and slightly tile, the edge being in the following direction:

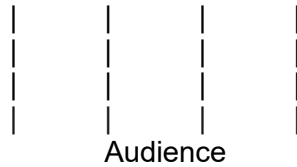


*Museum version: they can be painted black*

CEILING: Black. If the ceiling is light colored or has elements that attract the eye when the projection is over, laying black fabric (or gauze) is needed.

FLOOR : Only a clean black carpet clean posed with double-sided tape in the longitudinal direction , like this:





OPTIMUM DIMENSIONS: A minimum rectangle of 10m x 12m x 5m **inside the blackbox** (for a much larger space, the power of the projector has to be adapt)

MINIMUM DIMENSION: A minimum rectangle of 100 sq.meters **Inside the blackbox** (4m50 height).

TECHNICAL CEILING : A technical grid with at least one tubes (diam. 50 mm preferred) is required directly above the ceiling of the projectors (see precise location on stage plot).

ENTRANCE: In this project, the public is asked to remove their shoes and drop off their belongings before entering. The ideal is to have a little room or space as an entrance with low light and chairs so that the audience can do it in a quiet place and people don't worry about their things.

**OCCULTATION : PITCH BLACK IS ESSENTIAL.** The room should be completely obscured. The extinction or a total blackout of the emergency block is required (a mediator is always present in the room with the public). A light pollution assessment time will be taken with the technique on arrival to hide all light sources (LED and light leakage).

**SOUND: THE COMPLETE SILENCE IS REQUIRED.** Just as the occultation, a time should be taken early to assess the building noise, surrounding the room to find the solutions necessary for the adaptation of traffic and noise during operation.

**AIR TRAFFIC:** The renewal of the air in the room must be stopped (or severely limited) in order to maintain the sufficient level of fog.

#### **COMPENSATORY MEASURES FOR PITCH BLACK:**

Concerning black, we therefore seek to place the public in the context of total blackness without an emergency block or visible light pollution. It is possible to take these elements into account:

- The size of the group inside the room never exceeds 19 people.
- There are no obstacles to movement in the room (no chairs or bleachers). The movement and exit are therefore completely free of obstacles.
- A mediator from the venue is systematically present with the public. He knows where the exit(s) are located, the lighting and knows the safety instructions.
- A control to activate the lighting of the room is placed at the entrance. The mediator can activate it in case of discomfort, or go outside with the person concerned.
- The public is informed before entering that a mediator is always present and that they can call the mediator anytime.
- When the audience enters, some light is already present. With the exception of a few seconds at the end, at least one light source (projector) is always on. At the end, during these few seconds, the mediator stands near the entrance and opens the door just after, bringing light inside.

If this is not enough, it is also possible to place an emergency block with the standby LEDs removed in the room in the same area that our projectors. Those emergency blocks will not project any light but they will still be functional and automatically activate in case of a problem.

## **A. EQUIPMENT BROUGHT BY THE COMPANY**

### **COMPUTER**

- 1 x Apple Computer
- 1 x Network Gigabit Switch 8 ports
- 1 x Cable HDMI
- 1 x 10m USB extension
- 5 x Small Cables twisted pair
- ENTEC box for DMX to USB

### **VIDEOPROJECTION**

Main :

- PANASONIC PT-RW630
- Brightness: 6500 lumens
- Technology : Mono-DLP LED/LASER
- Resolution : 1280 x 800
- Terminals : HDMI

Lens : Provided by the venue according to the dimensions of the room  
Platform: controlled electric forklift 20cm to 1.60m from the floor level  
Shutter : PJ-link

Ceiling :

OPTOMA  
Brightness : 3600 lumens  
Technology : Mono-DLP  
Resolution : 1280 x 800  
Terminals : VGA  
Lens : 0.52:1  
Mount : Mount for a 50mm tube, in a vertical position  
Control by network

Wall :

- 3 x identical projection kits:  
adjustable plate for mounting on 8mm thread  
VP low brightness  
Raspberry Pi 3  
Shutter (servomotor)

## **B. EQUIPMENT PROVIDED BY THE VENUE/GALLERY**

### VIDEO

- 1 x lens for PANASONIC PT-RW630 (ET-DLE055 0.8 :1 ou ET-DLE085 0.8-1 :1)
- 1 x cable VGA 20m (length is subject to change considering the distance between the computer and the ceiling projector)
- 1 x shutter to mount in an horizontal position on the OPTOMA beamer
- 1 x cable DMX 20m (length is subject to change considering the distance between the computer and the ceiling projector) to be used with the shutter
- 1 x cable Twisted Pair CAT5e 20m (length is subject to change considering the distance between the computer and the ceiling projectors)
- 3 x stable ajustable boom stands (height: 3m80, 3m20 and 2m50) for our 3 VP kits.  
These stands must be equipped with plate including a 8mm thread and corresponding nuts in order to fix on it the hoses supporting an apparatus including video projector + Raspberry.

### FOG MACHINE

- 1 x Fog Machine MVS serie by Le Maître (refer to specification below) or equivalent.

### POWER SUPPLY

- 2 x 16A (for the lift and video on the same electrical phase) are required
- All the power cables have to be provided (extensions and strips).

### ACCESSORIES

- 1 x table 1m x 50cm
- 4x black stage platforms (or covered with black) of 2m x 1m installed "on field" to create a "technical" barrier needed to protect our material
- 8 feet x 80cm
- 9 x iron. weight of 10kg (for the feet of platform, stands and elevator)
- 1 x stepladder (2m)

## **C- SCHEDULE & WORKERS**

**SET-UP (The black walls, carpet, ceiling, hanging pole and all the provided AV equipment are set and test prior our arrival)**

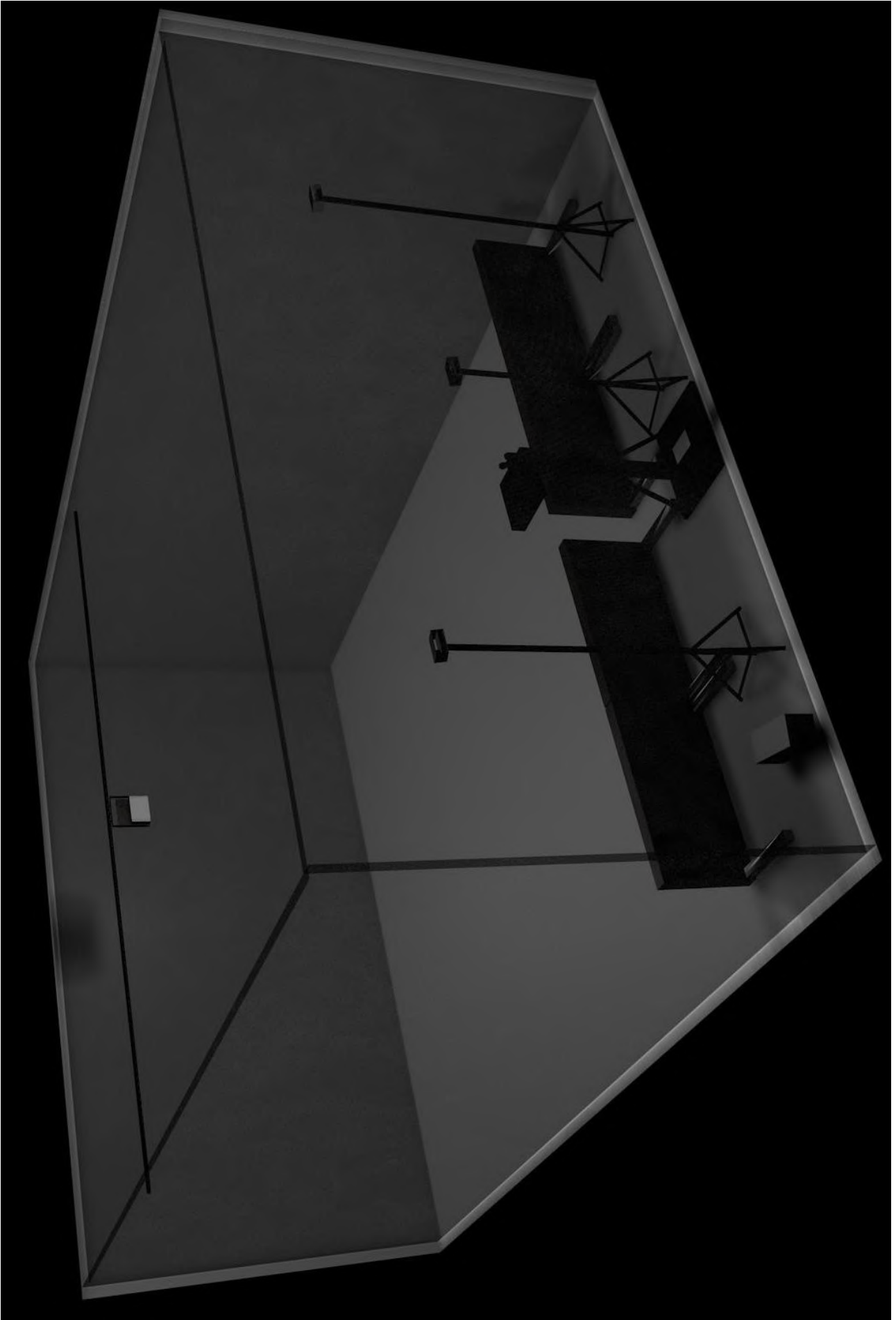
D-1: Setup + adjustment (1 Stage manager + 1 AV technician required)

D-0: end of adjustment + opening (from 2pm only) (1 Stage manager + 1 AV technician required)

DISMANTLING (2 hours)

Immediately at the end of the last show

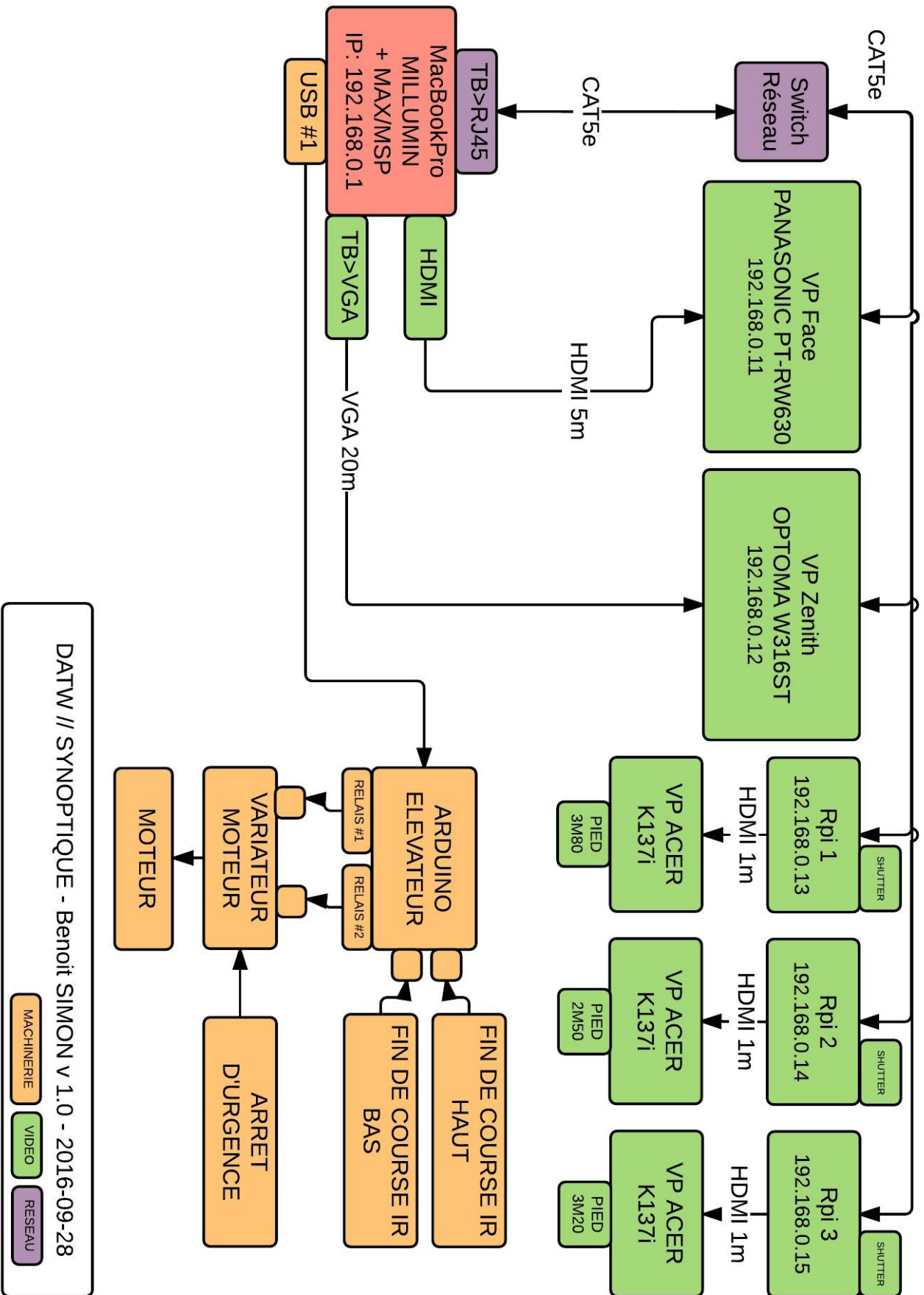






Technical rider *"Deep are the woods"* – E.A. Burtschy - 10/10/2019







## MVS Hazer

### Multi Venue System Hazer



#### Features:

- High output haze
- Continuous output run-time
- Variable direction: 0-90 degrees; Sweeps
- Low fluid consumption:
  - 3cc/hr to 80cc/hr (800hrs/2.5L to 31hrs/2.5L)
  - Average consumption 65hrs/2.5L
- Low power consumption
- 4 channel DMX 512
- Multi-function control panel & data storage capability
- Advanced projection control for accurate wide range
- Patented hazing tube system
- External bottle design for multiple position use
- No - oil, water, residue or irritation. Equity approved
- Continuous variable fan output up to 125 cbm/hr
- 2.5L or 5L of fluid
- Optional flight case
- Warranty – 12 months

The MVS Hazer is a high specification hazer, fulfilling the majority of applications where higher demands are required. It combines variable haze output with accurately controlled variable direction (0-90 degrees) and sweep, over a wide range. A fully featured system, it also benefits from the health and safety benefits of a sugar based haze fluid.

#### Control & Programming

- Control is manual or via DMX 512
- Controllable:
  - Volume output;
  - Projection distance;
  - Direction 0-90 degrees
  - Sweep speed
- Memory for all settings. Memory recall on start-up for "switch-and-go"
- Automatic 2 minute cleaning on start-up
- Detachable fluid carrier (optional)

#### Performance

- Fan output – up to 125 cubic metres/hr
- Fluid consumption: 3cc to 80cc/hr (which equals 800hrs/2.5L bottle to 30 hrs/2.5L bottle).
- Average fluid consumption 65hrs/2.5L
- High current control of vapour tube
- High power air pump
- Accurate fan control over wide range
- Large diameter hazing tube for extended working life
- Self-cleaning increases reliability and machine life
- Odourless; Non-greasy; Non-flammable; Non-carcinogenic
- Tested and safe for use on live stage performances

## MVS Hazer (continued)

### Fluids

- Haze Fluid: A sugar based fluid designed to hang in the air and accentuate beams of light without creating a messy oily residue. Haze fluid is used in much smaller proportions to smoke fluid thus giving the benefit of atmosphere without the large consumable cost.

The Le Maitre MVS has a self-cleaning programme and easily serviceable parts.

*Le Maitre's fluids are included in the "Equipment Based Guidelines for the Use of Theatrical Smoke and Haze" prepared by Environ International Corporation and can be used in compliance with ANSI standards for theatrical fog and the PLASA (previously ESTA) Fog Testing Program. Copies can be found on [www.actorsequity.org](http://www.actorsequity.org).*

### Installation

- Orientation: Floor or Truss (with adaption)
- Base plate support enable various angles

### Physical / Electrical

- Size (HxWxL): 340 x 160 x 340mm
- Weight: 12 Kg
- Power: 230v, 50/60Hz, 300W, 3A

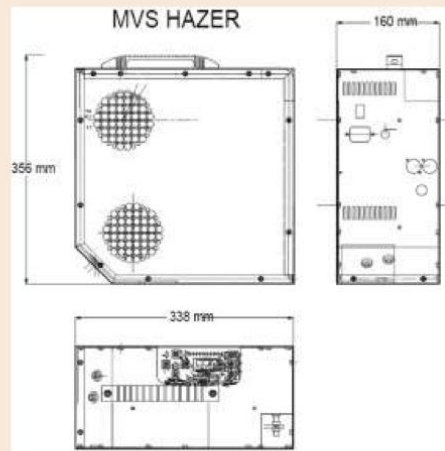
### Product Codes:

#### Machine & Accessories

- 3004 MVS Hazer 230V
- 2788 MVS Bottle Carrier
- 3010 Flight Case for MVS with Bottle Carrier
- 3011 Flight Case for MVS only
- 2876 MVS Spare Tube

#### Fluids

- 2948 Haze Fluid 2.5L
- 2908 Haze Fluid 5 L
- 2916 Haze Fluid 200L



Specifications are subject to change without notice.

Le Maitre Ltd  
5-6 Forval Close, Wandle Way,  
Mitcham, Surrey CR4 4NE, UK  
Tel: +44 208 6462222  
[www.lemaitreltd.com](http://www.lemaitreltd.com)